

SPECIFICATION SUBMITTAL SHEET



APPLICATION

Designed for installation on potable water lines to protect against backsiphonage of contaminated water into the potable water supply. Assembly shall provide protection where a potential health hazard exists.

FEATURES

Sizes: 3/4" 1" 1 1/4" 1 1/2" 2"

Maximum working water pressure 150 PSI
 Maximum working water temperature 110°F
 Hydrostatic test pressure 300 PSI
 End connections threaded ANSI B1.20.1

OPTIONS

(Suffixes can be combined)

- with full port QT ball valves (standard)
- L - less ball valves

ACCESSORIES

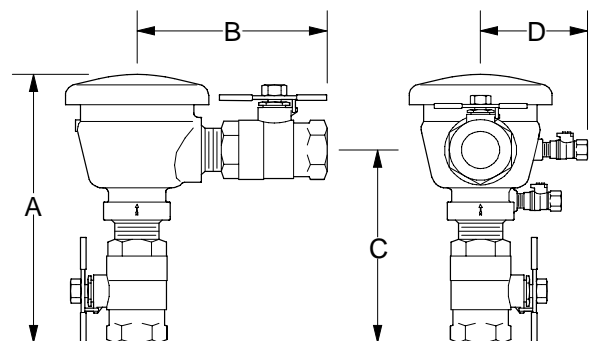
- Repair kit (complete)
- Water Hammer Arrester (Model 1250)
- QT-SET Quick Test Fitting Set

STANDARDS COMPLIANCE

- ASSE® Listed 1020
- IAPMO® Listed
- CSA® Certified
- Approved by the Foundation for Cross-Connection Control and Hydraulic Research at the University of Southern California

MATERIALS

Main valve body Cast Bronze ASTM B584
 Fasteners Stainless Steel, 300 Series
 Elastomers Silicone (FDA approved)
 Buna Nitrile (FDA approved)
 Polymers Polypropylene (FDA approved)
 Delrin® (FDA approved)
 Springs Stainless steel, 300 series

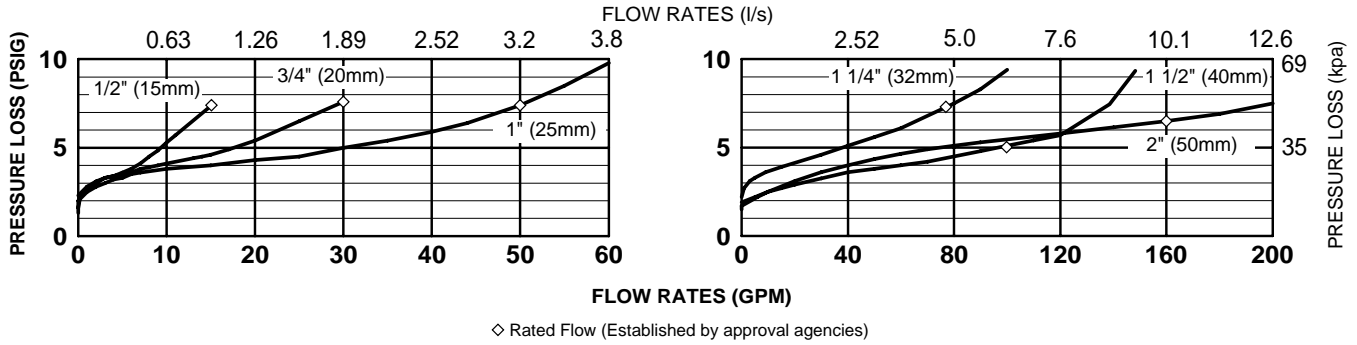


DIMENSIONS & WEIGHTS (do not include pkg.)

MODEL SIZE		DIMENSIONS (approximate)								WEIGHT			
		A		B		C		D		LESS BV		WITH BV	
in.	mm	in.	mm	in.	mm	in.	mm	in.	mm	lbs.	kg	lbs.	kg
1/2	15	6 7/8	175	3 13/16	97	4	102	3 1/2	89	4	1.8	6	2.7
3/4	20	7	178	4 1/8	105	4 1/8	105	3 1/2	89	4	1.8	6	2.7
1	25	7 5/8	194	4 1/2	114	4 5/8	118	3 1/2	89	4	1.8	8	3.6
1 1/4	32	10 13/16	275	7 1/4	184	7 1/4	184	4 1/2	114	14	6.4	20	9
1 1/2	40	10 3/8	264	6 7/8	175	6 7/8	175	4 1/2	114	14	6.4	20	9
2	50	11	279	7 1/2	191	7 5/8	194	4 1/2	114	14	6.4	26	10.4

FLOW CHARACTERISTICS

MODEL 720A 1/2", 3/4", 1", 1 1/4", 1 1/2" & 2" (STANDARD & METRIC)

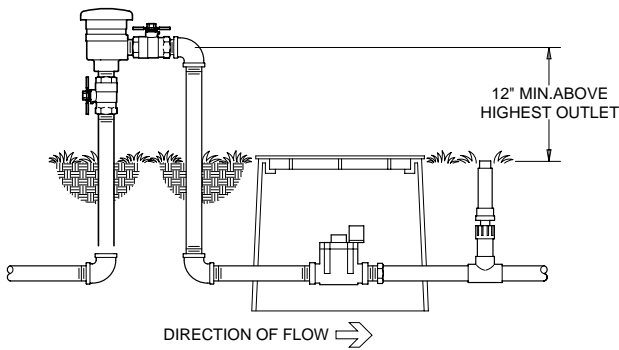


TYPICAL INSTALLATION

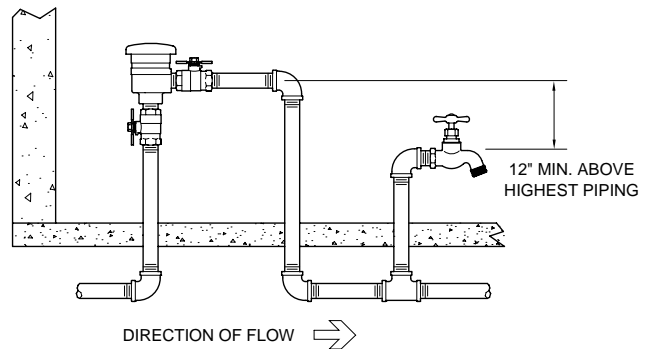
Local codes shall govern installation requirements. Unless otherwise specified, the assembly shall be mounted at a minimum of 12" (305mm) above the highest piping or outlet downstream of the device. Install with adequate drain and sufficient side clearance for testing and maintenance. The installation shall be made so that no part of the unit can be submerged. A pressure vacuum breaker cannot be installed where back-pressure could occur or where spillage of water from vent could cause damage.

Capacity thru Schedule 40 Pipe

Pipe size	5 ft/sec	7.5 ft/sec	10 ft/sec	15 ft/sec
1/8"	1	1	2	3
1/4"	2	2	3	5
3/8"	3	4	6	9
1/2"	5	7	9	14
3/4"	8	12	17	25
1"	13	20	27	40
1 1/4"	23	35	47	70
1 1/2"	32	48	63	95
2"	52	78	105	167



OUTDOOR INSTALLATION



INDOOR INSTALLATION

SPECIFICATIONS

The Pressure Vacuum Breaker shall be ASSE 1020 approved, and supplied with full port ball valves. The main body and bonnet shall be bronze (ASTM B584), the loaded-air inlet shall use an silicone elastomer spring and seat disc. The entire assembly shall be accessible for maintenance and testing without removing the device from the line. The Pressure Vacuum Breaker shall be a WILKINS Model 720A.